

Standard Equipment/Optional Equipment

Standard Equipment

Linde hydrostatic power steering
 Linde twin accelerator pedals for all vehicle movements
 Armrest with Linde Load Control
 2 x 11 kW maintenance free AC drive motors
 2 x 21 kW maintenance free AC lift motor
 Graphic display of battery operating time (hh:min)
 Standard monitoring of battery door
 Automatic parking brake
 Dual motor drive
 Proportional reduction of travel speed when cornering (Linde Curve Assist)
 Seamless electronic control of all traction and hydraulic movements
 Hydraulically cushioned full suspension operator's seat with armrest

Comprehensive digital instrument display
 Generous storage facilities for writing materials etc.
 Superelastic tyres
 Three different modes providing the perfect combination of performance and efficiency

Mast

Clearview standard mast = 3,850 mm (E60),
 3,450 mm (E70-80), 3,050 mm (E80/900)
 Fork carriage width: 1,650 mm to 2,180 mm
 Fork length 1,200 mm (E60-80), 1,800 mm (E80/900)

Optional Equipment

Single pedal accelerator with forward/reverse selector in the armrest
 Alternative fork length
 Alternative fork carriage widths
 Charging on rear side with active ventilation
 Load backrest
 One, two or three additional hydraulic circuits for attachments
 Polycarbonate top screen on overhead guard, modular cabin design up to full cabin
 Top screen in bullet proofed glass
 Heating (with pollen protection filter)
 Radio with speakers
 Fabric covered comfort seat
 Super-comfort seat with air suspension, heater and backrest extension

Individual or single hydraulic control joystick
 Truck lighting
 Working lamps with LED technology
 Flashing beacon/rotating beacon
 Audible reversing alarm
 External, internal and panoramic mirror
 Clipboard with LED illumination
 Alternative custom paintwork
 Linde Connected Solution (Connect:)
 Alternative tyre types
 Electrical socket 12 V
 BlueSpot™

Other options available on request



Electric Counterbalanced Trucks
 Capacity 6000 - 8000 kg
 E60, E70, E80, E80/900

Series 1279



Safety

Handling loads up to 8 tons has safety as top priority. The overhead guard forms a strong and completely enclosed protective zone providing optimum structural integrity, safety and protection to the operator. The unique mast design with its slim profiles enables an outstanding visibility and safety on load handling.

Performance

A large E-truck is expected to have a high performance traction system. Two powerful motors, maintenance-free brakes and an intelligent electronic control form an impressive power pack to deliver the highest level of productivity on heavy loads. The sensitive control and the maximum speed of 16 km/h with and without load ensure a high handling rate.

Comfort

Working efficient for extended periods is only possible if the operator feels comfortable. The ergonomic layout of all the controls, the adjustability of the armrest and seat, Linde Load Control, twin accelerator pedals and the innovative decoupling of the driver's cab provide the best possible intuitive interface between truck and operator.

Features

Compact drive axle

→ Twin drive design with high performance Linde AC technology
 → Automatic parking brake
 → Maintenance-free oil-bath vane brake

Ease of servicing

→ Simple access to oil filter and oil level gauge
 → Fast accessible windscreen washer system and coolant reservoirs



Linde twin accelerator control

→ Seamless, rapid reversing without repositioning the feet
 → Short pedal travel
 → Fatigue-free working
 → Increased throughput and performance

Linde Load Control

→ Safe and highly efficient load handling
 → Precise and effortless fingertip joystick control of all mast functions
 → Small tactile joystick integrated in an adjustable armrest

Dual motor drive

→ Two powerful AC drive motors integrated in the front axle
 → Active steering support through dual motor drive



Linde operator's compartment

→ Ergonomic design for efficient, fatigue-free working
 → Spacious operator's compartment with generous floor plate area and adjustable seat
 → Reduced vibrations due to the innovative concept of decoupling the driver's cab



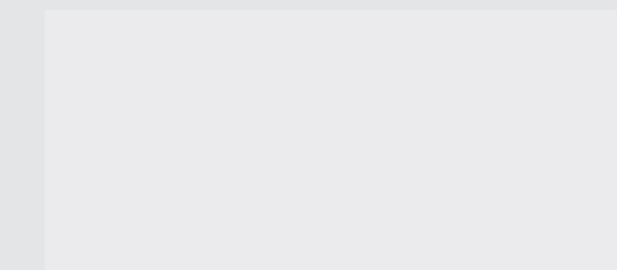
Clearview mast design

→ Excellent view of load and surroundings through the robust and slim mast profiles
 → Maximum load capacity up to the highest lifting heights
 → Enormous residual capacities



Linde energy management

→ Optimized energy consumption
 → Accurate battery condition indicator
 → Simple horizontal battery changing



Linde Material Handling GmbH, Postfach 10 01 36, 63701 Aschaffenburg, Germany
 Phone +49.60 21.99-0, Fax +49.60 21.99-15 70, www.linde-mh.com, info@linde-mh.com



Subject to modification in the interest of progress. Illustrations and technical details could include options and not binding for actual constructions. All dimensions subject to usual tolerances.

Printed in Germany 076.e: 3.0315.linda_KI

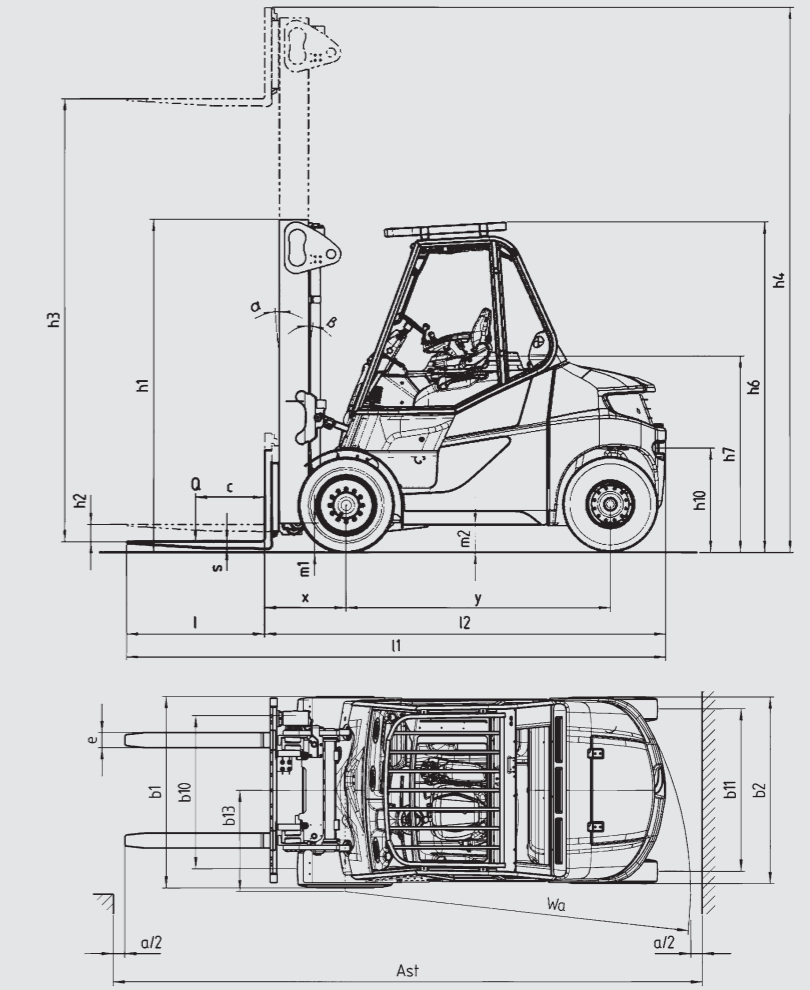
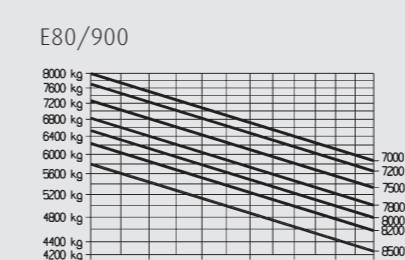
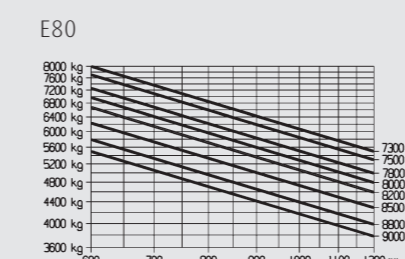
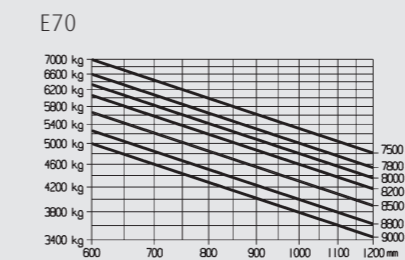
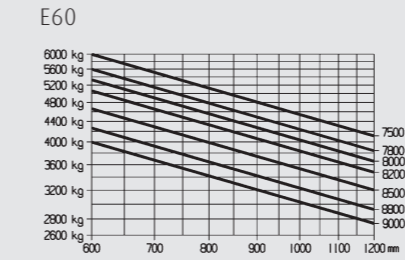
Technical Data according to VDI 2198

		Characteristics					
		1.1	1.2	1.2a	1.3		
	Manufacturer	LINDE	LINDE	LINDE	LINDE		
	Model designation	E60	E70	E80	E80/900		
	Series	1279-00	1279-00	1279-00	1279-00		
	Power unit	Battery	Battery	Battery	Battery		
	Operation	Seat	Seat	Seat	Seat		
	Load capacity/Load	Q (t)	6.0	7.0	8.0		
	Load centre	c (mm)	600	600	900		
	Axle centre to fork face	x (mm)	710	720	750		
	Wheelbase	y (mm)	2300	2300	2400		
Weights	2.1	Service weight	(kg)	12334 ¹⁾	12893 ¹⁾	13970 ¹⁾	15720 ¹⁾
	2.2	Axle load with load, front/rear	(kg)	15975 / 2359	17879 / 2014	19665 / 2305	21483 / 2237
	2.3	Axle load without load, front/rear	(kg)	6558 / 5776 ¹⁾	6862 / 6031 ¹⁾	7074 / 6896 ¹⁾	7983 / 7737 ¹⁾
Wheels/Tyres	3.1	Tyres rubber, SE, pneumatic, polyurethane		SE	SE twin	SE twin	SE twin
	3.2	Tyre size, front		355/50-20	8.25-15	315/70-15 (300-15)	315/70-15 (300-15)
	3.3	Tyre size, rear		8.25-15	315/70-15 (300-15)	315/70-15 (300-15)	315/70-15 (300-15)
3.5	Wheels, number front/rear (x = driven)		2x / 2	4x / 2	4x / 2	4x / 2	
3.6	Track width, front	b10 (mm)	1326	1514	1564	1564	
3.7	Track width, rear	b11 (mm)	1406	1406	1396	1396	
Dimensions	4.1	Mast/fork carriage tilt, forward/backward	a/b (°)	5.0 / 7.5	5.0 / 7.5	5.0 / 7.5	5.0 / 7.5
	4.2	Height of mast, lowered	h1 (mm)	2890	2888	2888	2885
	4.3	Free lift	h2 (mm)	150	150	150	150
	4.4	Lift	h3 (mm)	3850	3450	3450	3050
	4.5	Height of mast, extended	h4 (mm)	4754	4545	4545	4447
	4.7	Height of overhead guard (cabin)	h6 (mm)	2838	2838	2838	2838
	4.8	Height of seat/stand on platform	h7 (mm)	1705	1705	1705	1705
	4.12	Towing coupling height	h10 (mm)	853	854	854	858
	4.19	Overall length	l1 (mm)	4693	4703	4703	5533
	4.20	Length to fork face	l2 (mm)	3493	3503	3503	3733
	4.21	Overall width	b1/b2 (mm)	1660 / 1616	2004 / 1640	2111 / 1654	2111 / 1654
	4.22	Fork dimensions	s/e/l (mm)	60 x 130 x 1200	70 x 150 x 1200	70 x 150 x 1200	70 x 200 x 1800
4.23	Fork carriage to ISO 2328, class/type A, B		4A	4A	4A	4A	
4.24	Width of fork carriage	b3 (mm)	1600	1800	2180	2180	
4.32	Ground clearance, centre of wheelbase	m2 (mm)	205	205	205	205	
4.33	Aisle width with pallet 1000 x 1200 across forks	Ast (mm)	4910 ²⁾	4920 ²⁾	4920 ²⁾	5155 ²⁾	
4.34	Aisle width with pallet 800 x 1200 along forks	Ast (mm)	5110 ²⁾	5120 ²⁾	5120 ²⁾	5355 ²⁾	
4.35	Turning radius	Wa (mm)	3000	3000	3000	3205	
4.36	Minimum pivoting point distance	b13 (mm)	877	877	877	930	
Performance	5.1	Travel speed, with/without load	(km/h)	16 / 16	16 / 16	16 / 16	16 / 16
	5.2	Lifting speed, with/without load	(m/s)	0.3 / 0.46	0.3 / 0.46	0.3 / 0.46	0.3 / 0.46
	5.3	Lowering speed, with/without load	(m/s)	0.5 / 0.5	0.56 / 48.0	0.56 / 48.0	0.56 / 48.0
	5.6	Maximum tractive force, with/without load	(N)	44000 / 44000	44000 / 44000	44000 / 44000	44000 / 44000
5.7	Climbing ability, with/without load	(%)	19.0 / 29.0	18.0 / 27.0	16.0 / 25.0	15.0 / 22.0	
5.9	Acceleration time, with/without load	(s)	upon request	upon request	6.4 / 6.0	upon request	
Drive	6.1	Drive motor, 60 minute rating	(kW)	2x 11	2x 11	2x 11	2x 11
	6.2	Lift motor, rating at S3 15%	(kW)	2x 21	2x 21	2x 21	2x 21
	6.3	Battery according to DIN 43531/35/36 A,B,C,no		43 536 / A	43 536 / A	43 536 / A	43 536 / A
	6.4	Battery voltage/rated capacity (5h)	(V/Ah)	80 / 1240	80 / 1240	80 / 1240	80 / 1240
	6.5	Battery weight (± 5%)	(kg)	2785	2785	2785	2785
	6.6	Power consumption according to VDI cycle	(kWh/h)	12.6	14.5	16	17.7
6.8	Power consumption at max. handling capacity	(kWh/h)	15.4	17.5	19.2	19.8	
Others	8.2	Operating pressure for attachments	(bar)	265	265	265	265
	8.3	Oil flow for attachments	(l/min)	85	85	85	85

1) Figures with battery, see line 6.4/6.5.

2) Including a 200 mm (min.) operating aisle clearance.

Load Capacity Diagrams



Overall and lift heights E60 (in mm)		Standard mast					Triplex mast			
Lift	h3	3850	4150	4550	4850	5250	6050	5370	5820	6420
Overall heights, forks lowered with 150 mm freelif (Standard)	h1	2888	3038	3238	3388	3588	3988	2868	3018	3218
Overall heights at max. lift with 4 rollers fork carriage	h4	4748	5048	5448	5748	6148	6948	6268	6718	7318
Overall heights at max. lift with 6/8 rollers fork carriage	h4	4948	5248	5648	5948	6348	7148	6468	6918	7518

Overall and lift heights E70, E80 (in mm)		Standard mast					Triplex mast				
Lift	h3	3450	3750	4150	4450	4850	5650	5155	5605	6205	7255
Overall heights, forks lowered with 150 mm freelif (Standard)	h1	2884	3034	3234	3384	3584	3984	2864	3014	3214	3564
Overall heights at max. lift with 4 rollers fork carriage	h4	4544	4844	5244	5544	5944	6744	6249	6699	7299	8349
Overall heights at max. lift with 8 rollers fork carriage	h4	4844	5144	5544	5844	6244	7044	6549	6999	7599	8649

Overall and lift heights E80/900 (in mm)		Standard mast					Triplex mast				
Lift	h3	3050	3350	3750	4050	4450	5250	4405	4855	5455	5905
Overall heights, forks lowered with 150 mm freelif (Standard)	h1	2884	3034	3234	3384	3584	3984	2864	3014	3214	3364
Overall heights at max. lift with 8 rollers fork carriage	h4	4444	4744	5144	5444	5844	6644	5799	6249	6849	7299

Figures in mm
Figures for other masts on request